

# Stones

COLLECTION  
Water Radiators



Stones Collection, a collaborative project designed by the architectural studio Stone Design is introducing club tables as a new design product sharing the same philosophy as the radiators.

Stone Design:

“In the age of computer-generated parametric forms, art will survive if the human hand cracks the algorithm”.



ASID NY Metro Best  
Innovative Design 2017

+389 2 2529600  
+389 2 2529700

sales@zavardesign.eu  
contact@zavardesign.eu

[www.zavardesign.eu](http://www.zavardesign.eu)

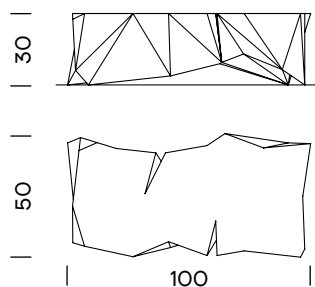
Product sheet / Page 1/5

# Stones

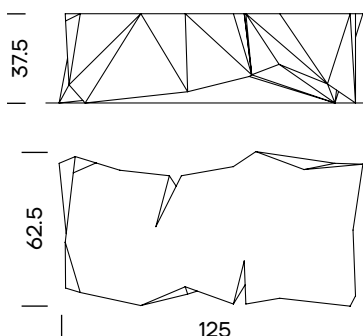
COLLECTION  
Water Radiators



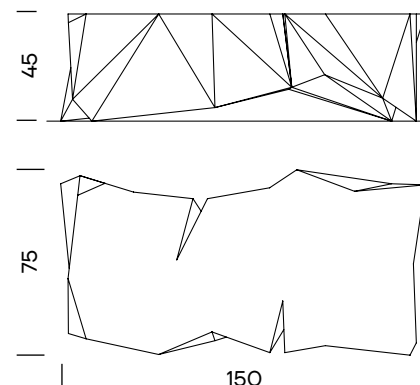
Stones O1  
/ Small



Stones O1  
/ Medium



Stones O1  
/ Large



**Design:**

Stone Design

**Code:**

Stones O1 / Small: STS1  
Stones O1 / Medium: STM1  
Stone O1 / Large: STL1

**Dimensions:**

Stones O1 / Small: 100x50x30cm  
Stones O1 / Medium: 125x62.5x37.5cm  
Stone O1 / Large: 150x75x45cm

**Weight:**

Stones O1 / Small: 25kg  
Stones O1 / Medium: 38kg  
Stone O1 / Large: 55kg

**Finishing:**

Inox Polished

**Packaging Info:**

Wooden box  
Max. per Box: 1 Piece

**Gross Weight:**

Stones O1 / Small: Ca. 55kg  
Stones O1 / Medium: Ca. 80kg  
Stone O1 / Large: Ca. 110kg

**Volume:**

Stones O1 / Small: 0.26m<sup>3</sup>  
Stones O1 / Medium: 0.46m<sup>3</sup>  
Stone O1 / Large: 0.75m<sup>3</sup>

**Box Size:**

Stones O1 / Small: 110x60x40cm  
Stones O1 / Medium: 135x73x47cm  
Stone O1 / Large: 160x85x55cm

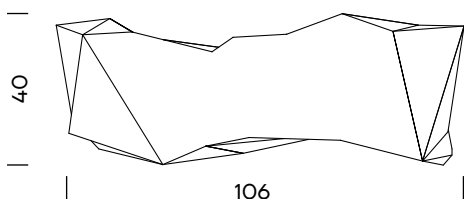
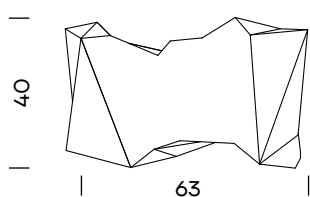
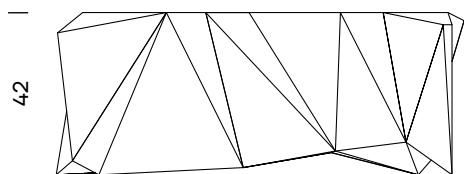
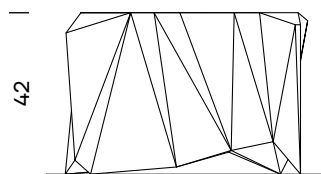
# Stones

COLLECTION  
Water Radiators



Stones O2  
/ Small

Stones O2  
/ Large



---

**Design:**

Stone Design

---

**Code:**

Stones O2 / Small: STS2

Stones O2 / Large: STL2

---

**Dimensions:**

Stones O2 / Small: 63x40x42cm

Stones O2 / Large: 106x40x42cm

---

**Weight:**

Stones O2 / Small: 15.5kg

Stones O2 / Large: 22kg

---

**Finishing:**

Inox Polished

---

---

**Packaging Info:**

Wooden box

Max. per Box: 1 Piece

---

**Gross Weight:**

Stones O2 / Small: Ca. 38kg

Stones O2 / Large: Ca. 52kg

---

**Volume:**

Stones O2 / Small: 0.19m<sup>3</sup>

Stones O2 / Large: 0.30m<sup>3</sup>

---

**Box Size:**

Stones O2 / Small: 73x50x52cm

Stones O2 / Large: 115x50x52cm

---

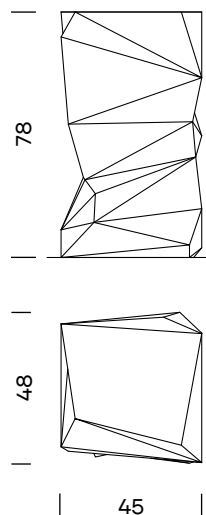
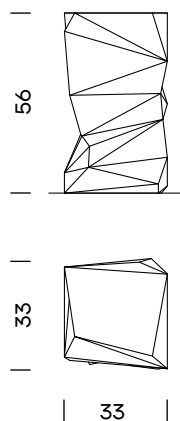
# Stones

COLLECTION  
Water Radiators



Stones 03  
/ Small

Stones 03  
/ Large



**Design:**  
Stone Design

**Code:**  
Stones 03 / Small: STS3  
Stones 03 / Large: STL3

**Dimensions:**  
Stones 03 / Small: 33x33x56cm  
Stones 03 / Large: 45x48x78cm

**Weight:**  
Stones 03 / Small: 14kg  
Stones 03 / Large: 25kg

**Finishing:**  
Inox Polished

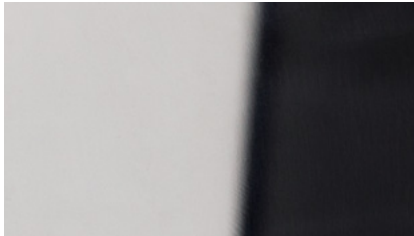
**Packaging Info:**  
Wooden box  
Max. per Box: 1 Piece

**Gross Weight:**  
Stones 03 / Small: Ca. 30g  
Stones 03 / Large: Ca. 45kg

**Volume:**  
Stones 03 / Small: 0.12m<sup>3</sup>  
Stones 03 / Large: 0.28m<sup>3</sup>

**Box Size:**  
Stones 03 / Small: 43x43x65cm  
Stones 03 / Large: 55x58x88cm

## Possible Material choice



## Inox Polished

The purpose of this promotional material is to provide the necessary information. We kindly ask you to take into consideration that the printed and on-screen images may differ from the actual color varieties, textures and structures of the material. We invite you to contact our authorized sales dealers in your country for any queries regarding material finishings, characteristics and appearance.